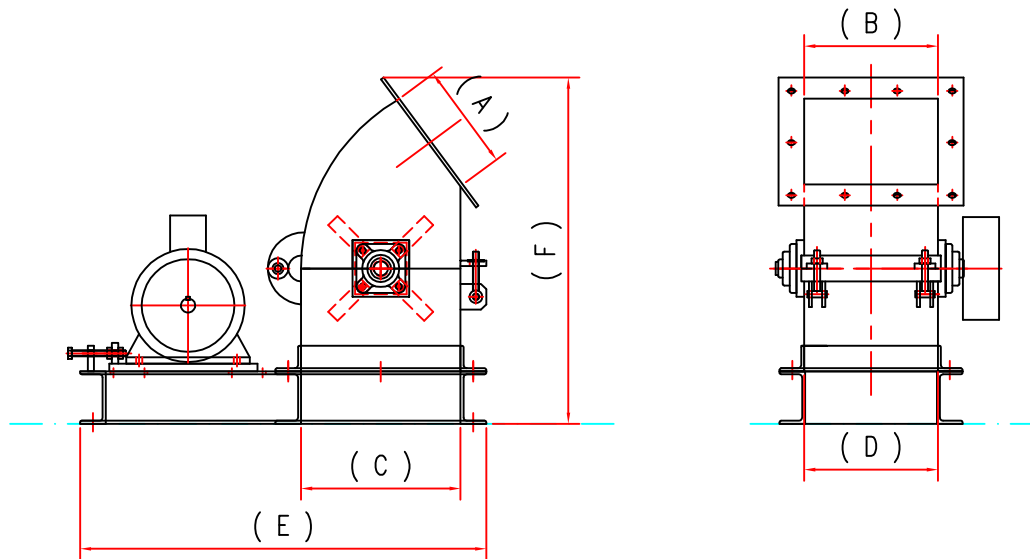


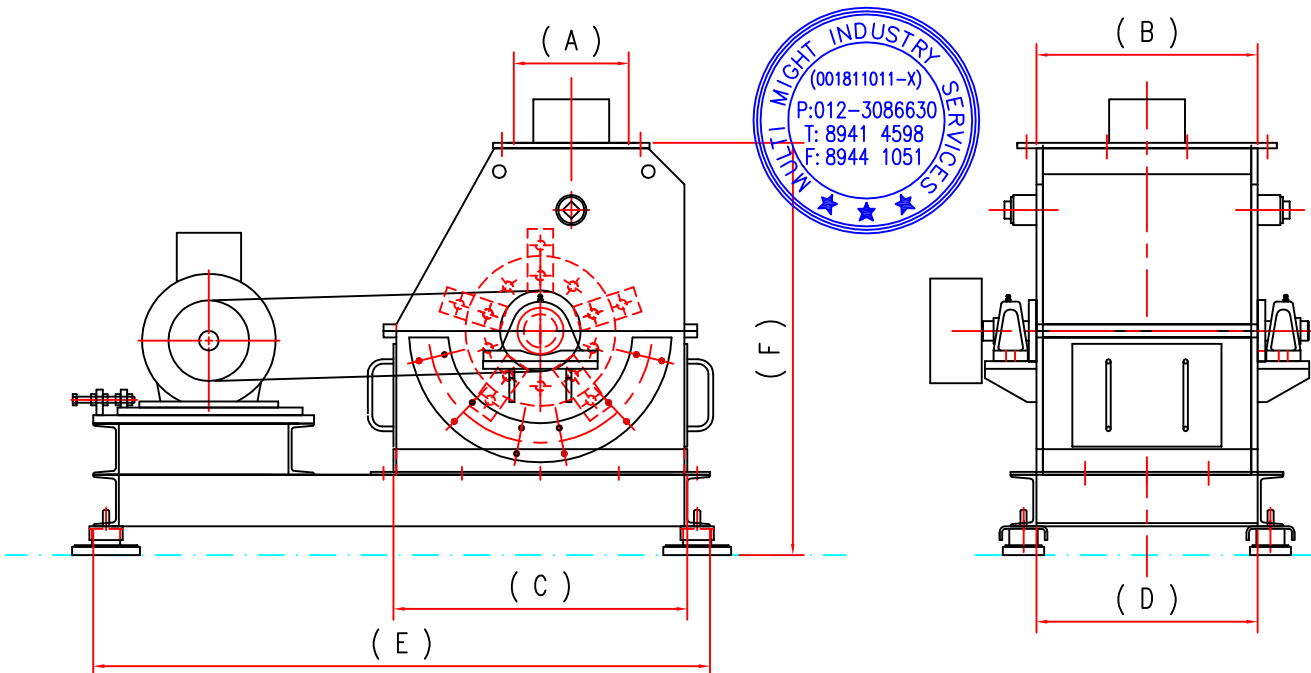


MULTI MIGHT INDUSTRY SERVICES (001811011-X) .
 43-2, 1st Floor, Jalan SP 2/1, Taman Serdang Perdana,
 43300 Seri Kembangan, Selangor, Malaysia.
 Tel & Fax: 603-8941 4598, 603-8944 1051 HP: 6012-3086630
 Email: mmis_huan@yahoo.com Website: www.my-mmis.com

HAMMER MILL MODEL : HM200



HAMMER MILL MODEL : HM350



TECHNICAL DATA :-

MODEL:	A	B	C	D	E	F	CAPACITY (KG/HR)	FINENESS
HM200	208	260	310	290	790	675	150-200	ø3 to ø6
HM350	224	430	572	410	1200	800	250-350	ø3 to ø6

CONSTRUCTION OF HAMMER MILL. = STAINLESS STEEL

ALL DIMENSIONS ARE IN MILLIMETRES

*** Capacity would be changed according the different characteristics of raw materials. ***