



**MULTI MIGHT INDUSTRY SERVICES** (001811011-X) .

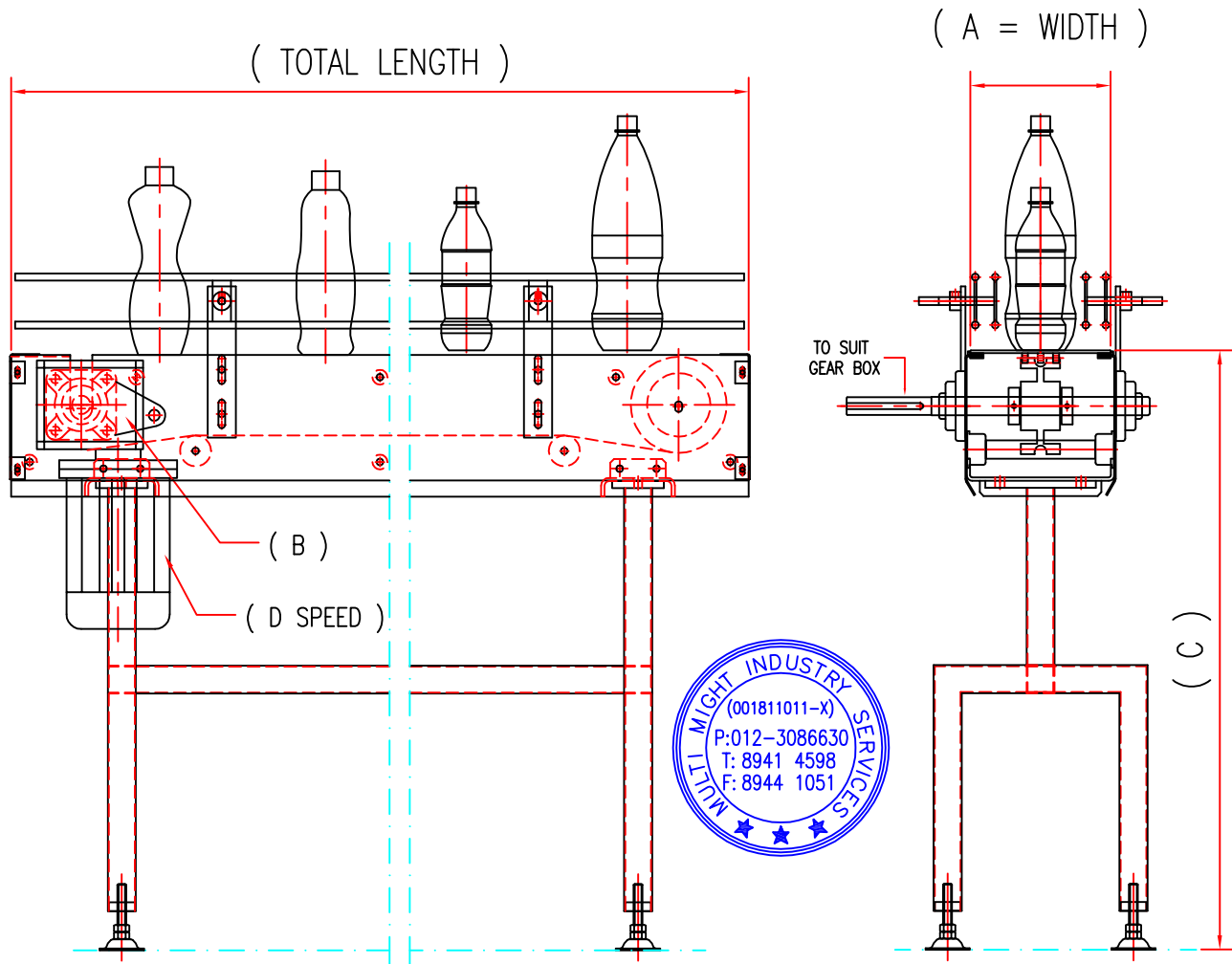
43-2, 1st Floor, Jalan SP 2/1, Taman Serdang Perdana,  
43300 Seri Kembangan, Selangor, Malaysia.

Tel & Fax: 603-8941 4598, 603-8944 1051 HP: 6012-3086630

Email: mmis\_huan@yahoo.com

Website: www.my-mmis.com

FLAT TOP PLASTIC CHAINS



TECHNICAL DATA :-

MODEL:	A	B	C	D	WORKING TEMPERATURE
LF820-K250	63	21T TO 23T	800 TO 1000	5 TO 50 m/min	-20°C TO 60°C
LF820-K450	114	21T TO 23T	800 TO 1000	5 TO 50 m/min	-20°C TO 60°C
LF820-K750	190	21T TO 23T	800 TO 1000	5 TO 50 m/min	-20°C TO 60°C
LF880-K250	63	23T	800 TO 1000	5 TO 50 m/min	-20°C TO 60°C
LF880-K450	114	23T	800 TO 1000	5 TO 50 m/min	-20°C TO 60°C
LF880-K750	190	23T	800 TO 1000	5 TO 50 m/min	-20°C TO 60°C
LF820-K750	2*190	23T	800 TO 1000	5 TO 50 m/min	-20°C TO 60°C
LF820-K750	4*190	23T	800 TO 1000	5 TO 50 m/min	-20°C TO 60°C
CONSTRUCTION OF CONV. = STEEL OR STAINLESS STEEL				ALL DIMENSIONS ARE IN MILLIMETRES	
STANDARD OF LENGTH = 1M, 1.4M, 1.9M, 2.9M, 6 METER.					