



MULTI MIGHT INDUSTRY SERVICES (001811011-X) .

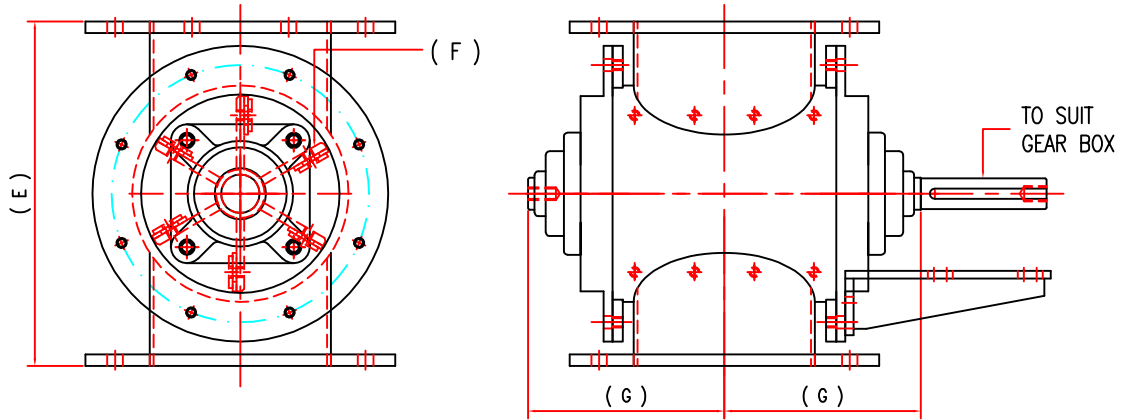
43-2, 1st Floor, Jalan SP 2/1, Taman Serdang Perdana,
43300 Seri Kembangan, Selangor, Malaysia.

Tel & Fax: 603-8941 4598, 603-8944 1051 HP: 6012-3086630

Email: mmis_huan@yahoo.com

Website: www.my-mmis.com

AIR LOCK TYPE-R

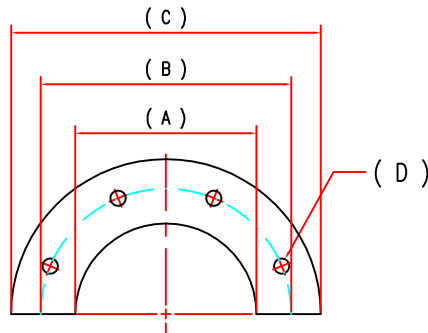


TECHNICAL DATA :-

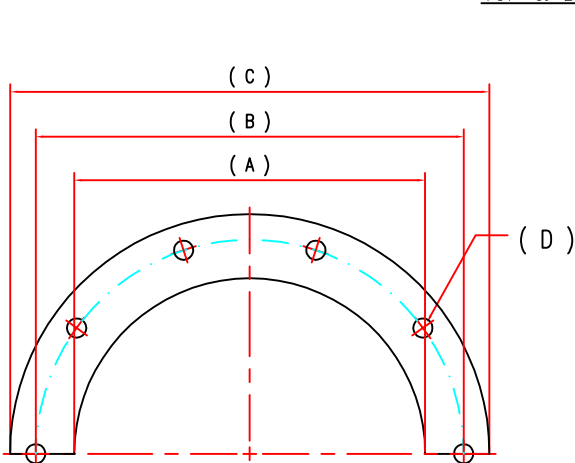
MODEL:	A	B	C	D	E	F	G	ROTOR VOLUME
AL 152 R	150	130	250	8#-14	255	6	153	2.5 Ltr/REV.
AL 200 R	168	220	270	8#-14	340	6	190	4.3 Ltr/REV.
AL 250 R	219	270	310	8#-14	390	8	230	10.5 Ltr/REV.
AL 300 R	273	333	373	10#-15	460	8	258	17.5 Ltr/REV.
AL 355 R	323	395	455	12#-15	510	8	282	26.0 Ltr/REV.
AL 406 R	355	425	485	14#-18	578	8	316	39.3 Ltr/REV.

CONSTRUCTION OF VALVE = STEEL OR STAINLESS STEEL

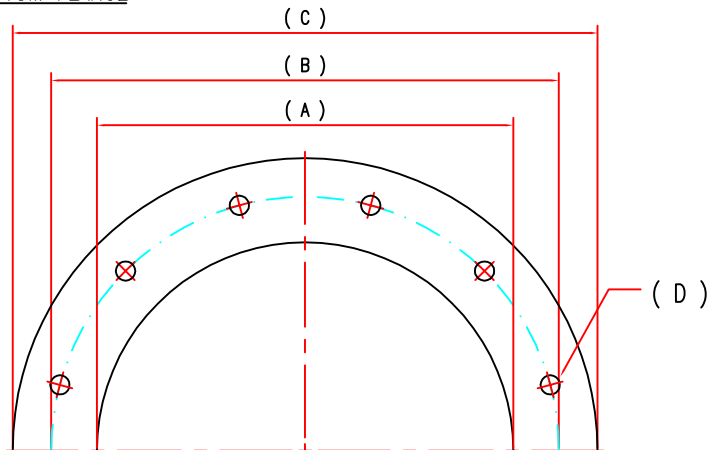
CAPACITIES ARE IN CUBIC FEET PER REVOLUTION.
ALL DIMENSIONS ARE IN MILLIMETRES



AL 152R, 200R, 250R
TOP & BOTTOM FLANGE



AL 300 R
TOP & BOTTOM FLANGE



AL 406 R
TOP & BOTTOM FLANGE

Prepared by : (www.my-mmis.com)