

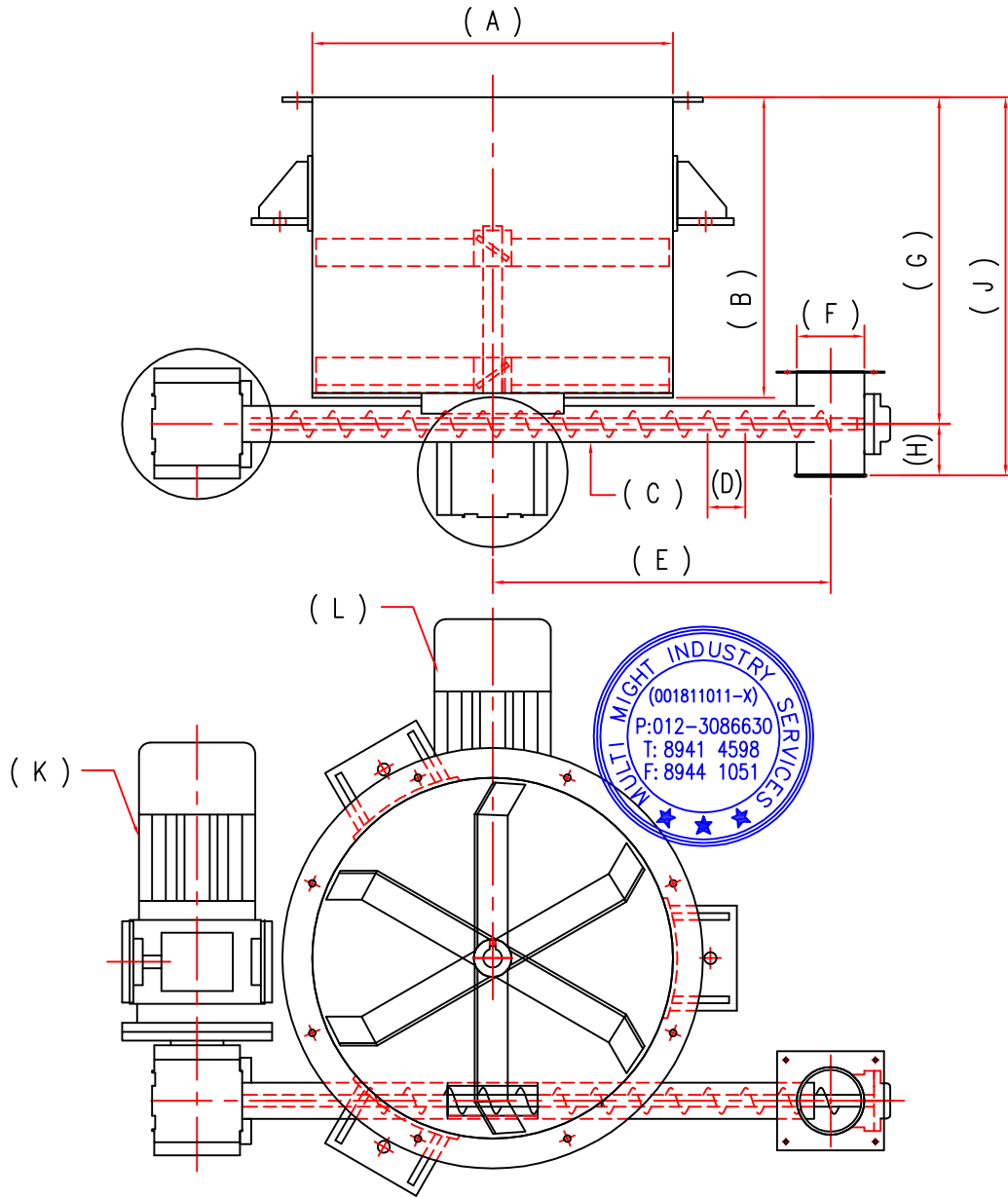


MULTI MIGHT INDUSTRY SERVICES (001811011-X) .

43-2, 1st Floor, Jalan SP 2/1, Taman Serdang Perdana,
43300 Seri Kembangan, Selangor, Malaysia.

Tel & Fax: 603-8941 4598, 603-8944 1051 HP: 6012-3086630
Email: mmis_huan@yahoo.com Website: www.my-mmis.com

MIXING AND FEEDER TRANSFER



TECHNICAL DATA :-

MODEL:	A	B	C	D	E	F	G	H	J	K	L	PITCH VOLUME
MF-1.5"-P	ø400	400	48	50	700	90	435	68	503	0.75Kw, l=15	0.75Kw, l=40	0.04 Ltr/REV.
MF-2.0"-P	ø400	400	60	55	700	114	440	75	515	0.75Kw, l=15	0.75Kw, l=40	0.10 Ltr/REV.
MF-2.5"-P	ø400	400	73	60	700	114	460	100	560	0.75Kw, l=15	0.75Kw, l=40	0.13 Ltr/REV.
MF-3.0"-P	ø400	400	89	65	700	141	460	100	560	0.75Kw, l=15	0.75Kw, l=40	0.25 Ltr/REV.
MF-4.0"-P	ø485	400	114	100	700	219	480	200	680	1.1Kw, l=15	0.75Kw, l=40	0.70 Ltr/REV.

CONSTRUCTION OF FEEDER = STEEL OR STAINLESS STEEL

CAPACITIES ARE IN CUBIC FEET PER REVOLUTION.
ALL DIMENSIONS ARE IN MILLIMETRES